

Sales Quotation

*Quote Nbr	Creation Date	Due Date	Page
1067-2216-67	03/08/2021		1 of 2
Payment Terms		Delivery Terms	
NET 30 DAYS		D	
Valid To		Prepared By	
07/06/2021		MONTGOMERY, HOLLIE	
Customer Reference		Sales Representative	
RON COLLINS - FILTER TIPS		HOLLIE MONTGOMERY	
To place an order	Ph: 800-766-7000	Fx: 800-926-1166	
Submitted To:		Customer Account: 011648-001	
RON COLLINS HOLLIE.MONTGOMERY@THERMO.COM 25 - -		UAB MEDICAL CTR FIND CORRECT DESTINATION FOR ON-SITE USE ONLY BIRMINGHAM AL 35294	



Part of Thermo Fisher Scientific

FISHER SCIENTIFIC COMPANY LLC
4500 TURNBERRY DRIVE
HANOVER PARK IL 60133-5491

[Review and Place Order](#)

[Click here or go through your purchasing system to fishersci.com quotes](#)

***Please reference this Quote Number on all correspondence.**

Don't have a profile? Register on fishersci.com

For complete Terms and Conditions, please [click here.](#)

Nbr	Qty	UN	Catalog Number	Description	Unit Price	Extended Price
1	1	EA	NC1915691	10UL FILTER TIP 960 TIPS Vendor Catalog # MLS-PTFS-10J Hazardous Material Original Catalog Number MLSPTFS10J	119.43	119.43
			No image Available.			
2	1	EA	NC1915693	20UL FILTER TIP 960 TIPS Vendor Catalog # MLS-PTFS-20J Hazardous Material Original Catalog Number MLSPTFS20J	119.11	119.11
			No image Available.			
3	1	EA	NC1915695	200UL FILTER TIP 960 TIPS Vendor Catalog # MLS-PTFS-200J Hazardous Material Original Catalog Number MLSPTFS200J	120.57	120.57
			No image Available.			
4	1	EA	NC1909010	1000UL FILTER TIP, RACK 960 Vendor Catalog # MLS-PTFS-1000J Hazardous Material Original Catalog Number MLSPTFS1000J	156.37	156.37
			No image Available.			
MERCHANDISE TOTAL						515.48

Sales Quotation



Quote Nbr	Customer Reference	Page
1067-2216-67	RON COLLINS - FILTER TIPS	2 of 2

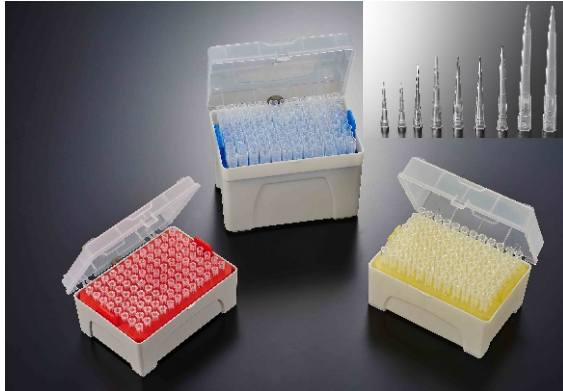
NOTES:

Returns are subject to manufacturer terms and conditions.

We now offer highly competitive financing with low monthly payments. Please contact your local sales representative for more information.

Tell us about your recent customer service experience by completing a short survey. This should take no longer than three minutes. Enter the link into your browser and enter the passcode: USA-PGH-CS2

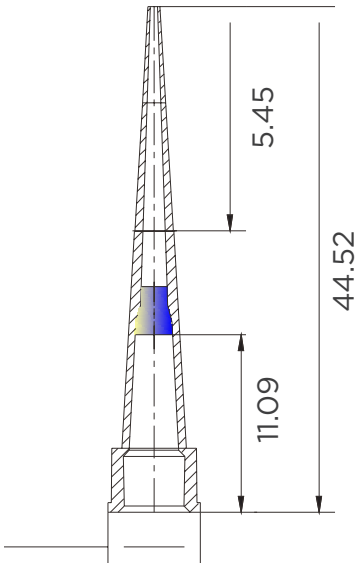
<http://survey.medallia.com/fishersci>

PRODUCT DATA SHEET
10 µL LONG PIPETTE TIPS


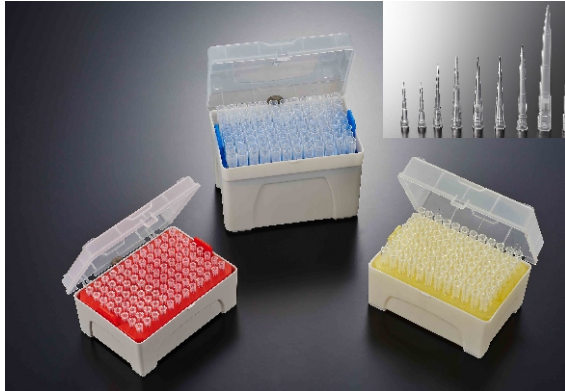
Description 10µL, Long, Natural, With filter, Sterilize
10µL, Long, Natural, Without filter, Sterilized

Materials Tips: PP (Polypropylene) Color: Natural
Rack box: PP (Polypropylene) Color: Grey/Red

- Features**
- Manufactured from super clear high quality Polypropylene
 - The surfaces of the tips are produced through a special process, this process makes the tip inner surface become super hydrophobic
 - Packaged in rigid autoclavable racks
 - Every rack or case is printed with lot No. for quality traceability
 - DNase/RNase-free and Non-pyrogenic
 - Sterilized by gamma irradiation SAL10 (ISO11137)-6
 - Shelf life: 3 years after month of production
 - Manufactured in a Class 100,000 cleanroom environment
 - Manufactured under ISO13485:2016 and ISO9001:2015 quality management system

Dimensions (mm)

STERILE R

Part Number	Description	Sterile	Qty/Rack	Qty/Box
MLS-PT-10J	10µL, Long, Natural, Without filter, Sterilized, Packaged in rack box	Yes	96	960
MLS-PT-10	10µL, Long, Natural, With filter, Sterilized, Packaged in rack box	Yes	96	960

PRODUCT DATA SHEET
20 µL PIPETTE TIPS

Description

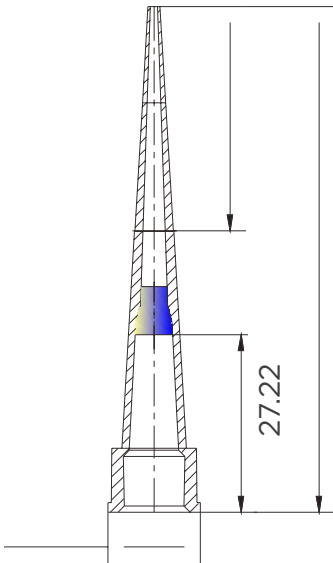
20µL, Natural, With filter, Sterilized

Materials

 Tips: PP (Polypropylene) Color: Natural
 Rack box: PP (Polypropylene) Color: Grey/Yellow

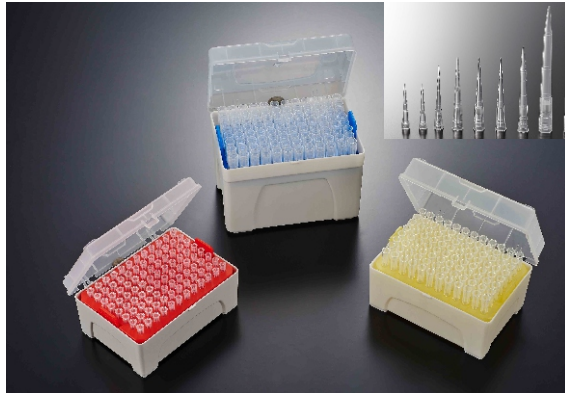
Features

- Manufactured from super clear high quality Polypropylene
- The surfaces of the tips are produced through a special process, this process makes the tip inner surface become hydrophobic
- Packaged in rigid autoclavable racks
- Every rack or case is printed with lot No. for quality traceability
- DNase/RNase-free and Non-pyrogenic
- Sterilized by gamma irradiation SAL10 (ISO11137)-6
- Shelf life: 3 years after month of production
- Manufactured in a Class 100,000 cleanroom environment
- Manufactured under ISO13485:2016 and ISO9001:2015 quality management system

Dimensions (mm)


STERILE R

Part Number	Description	Sterile	Qty/Rack	Qty/Box
MLS-PTFS-20J	20µL, Natural, With filter, Sterilized, Packaged in rack box	Yes	96	960

PRODUCT DATA SHEET
200 µL PIPETTE TIPS

Description

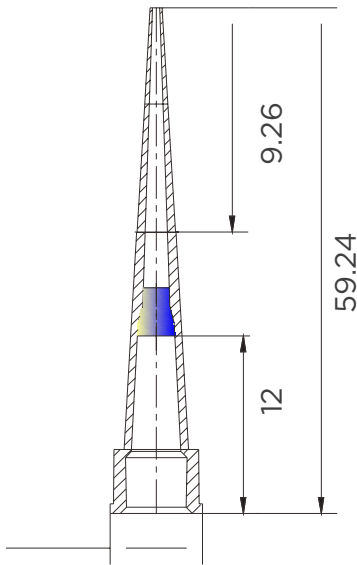
200µL, Natural, With filter, Sterilized

Materials

 Tips: PP (Polypropylene) Color: Natural
 Rack box: PP (Polypropylene) Color: Grey/Yellow

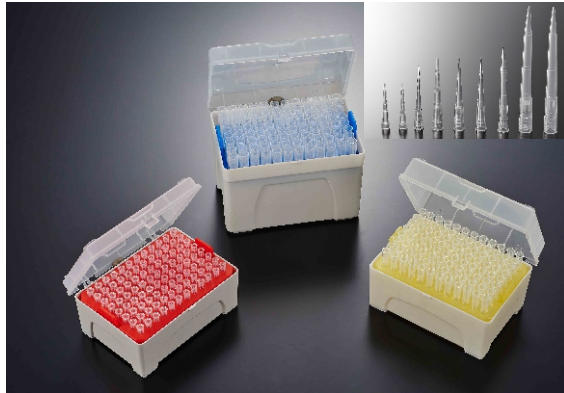
Features

- Manufactured from super clear high quality Polypropylene
- The surfaces of the tips are produced through a special process, this process makes the tip inner surface become hydrophobic
- Packaged in rigid autoclavable racks
- Every rack or case is printed with lot No. for quality traceability
- DNase/RNase-free and Non-pyrogenic
- Sterilized by gamma irradiation SAL10 (ISO11137)-6
- Shelf life: 3 years after month of production
- Manufactured in a Class 100,000 cleanroom environment
- Manufactured under ISO13485:2016 and ISO9001:2015 quality management system

Dimensions (mm)


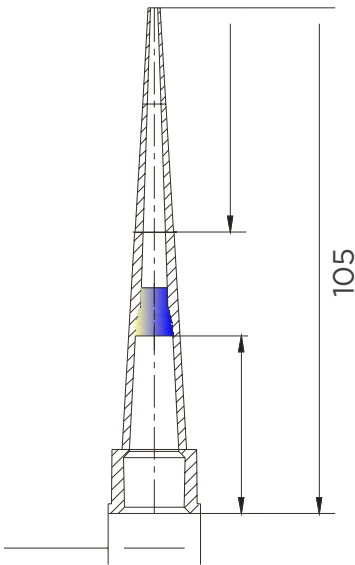
STERILE
R

Part Number	Description	Sterile	Qty/Pack	Qty/Box
MLS-PTFS-200J	200µL, Natural, With filter, Sterilized, Packaged in rack box	Yes	96	960

PRODUCT DATA SHEET
1000 µL PIPETTE MICRO TIPS

Description 1000µL, Natural, With filter, Sterilized

Materials Tips: PP (Polypropylene) Color: Natural
 Rack box: PP (Polypropylene) Color: Grey/Yellow

- Features**
- Manufactured from super clear high quality Polypropylene
 - The surfaces of the tips are produced through a special process, this process makes the tip inner surface become super hydrophobic
 - Packaged in rigid autoclavable racks
 - Every rack or case is printed with lot No. for quality traceability
 - DNase/RNase-free and Non-pyrogenic
 - Sterilized by gamma irradiation SAL10 (ISO11137)-6
 - Shelf life: 3 years after month of production
 - Manufactured in a Class 100,000 cleanroom environment
 - Manufactured under ISO13485:2016 and ISO9001:2015 quality management system

Dimensions (mm)


STERILE	R
----------------	----------

Part Number	Description	Sterile	Qty/ Pack	Qty/Box
MLS-PTS-1000J	1000µL, Long, Natural, Without filter, Sterilized, Packaged in rack box	Yes	96	960
MLS-PTFS-1000J	1000µL, Long, Natural, With filter, Sterilized, Packaged in rack box	Yes	96	960